



WIRELESS ENVIRONMENTAL DATA LOGGING SYSTEM

**Log on from any internet portal , no PC installation needed !
I.T. complications are a thing of the past!**

HUMIDITY - TEMPERATURE - LIGHT (Lux)

The **Novatron Wireless Environmental Monitoring Systems** provide data logging and alarm generation for the Museums & conservation sector, where accurate and reliable environmental monitoring is essential. Radio telemetry offers a cost-effective, flexible and practical alternative to hard-wired or stand-alone data logging systems without forfeiting system reliability or security. Licence exempt frequencies are used and sensors can be located almost anywhere.

System features:

- **Complete support – Set-up , hardware, software & calibration**
- Wireless connection of sensors range 100 M
- Cloud based software – access from any internet portal
- Accuracy: +/- 3% Rh 0.5 Celsius. Lux +/- 5%
- Easy system design & installation
- Flexible configurations for permanent & temporary installations
- Site maps upload. Unlimited data storage.
- 5 year minimum subscription included for up to 20 monitors

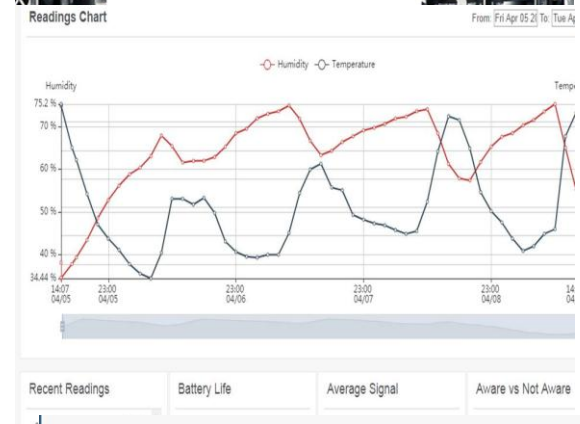
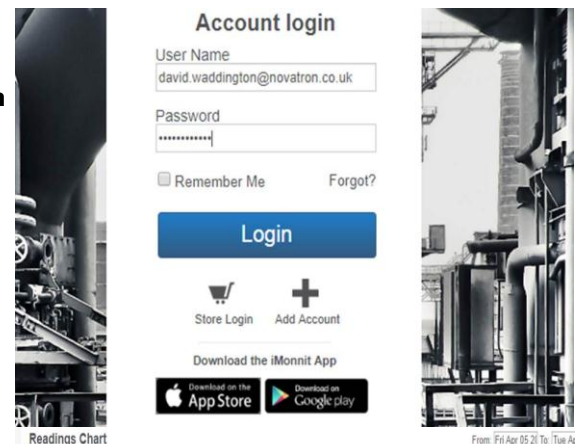
Transmitter features:

- Miniature, discrete humidity & temperature .
- Direct transmission to receiver, no software set up or installation on your PC
- Powered by standard coin-sized batteries with 3+ year battery life.
- Compact, lightweight & rugged
- Long-range transmission 100M
- Annual calibration available by Novatron

Either on the web or with our app on your device, you can view your current measurements and all the history. The sensors log all the data with timestamps and intuitive graphs. No problem if you are trying to view more than one sensor either. There is no limit to the number of sensor systems and networks you can keep track of remotely.

Choose your own setting, whether you wish to record your data every minute or you may only need a reading once an hour, you can set this all up on in the cloud or on your device.

- * **Discrete miniature sensors 100M range**
- * **Simple logon- no complex I.T. support needed**
- * **5 years subscription included**
- * **Mobile phone app available**



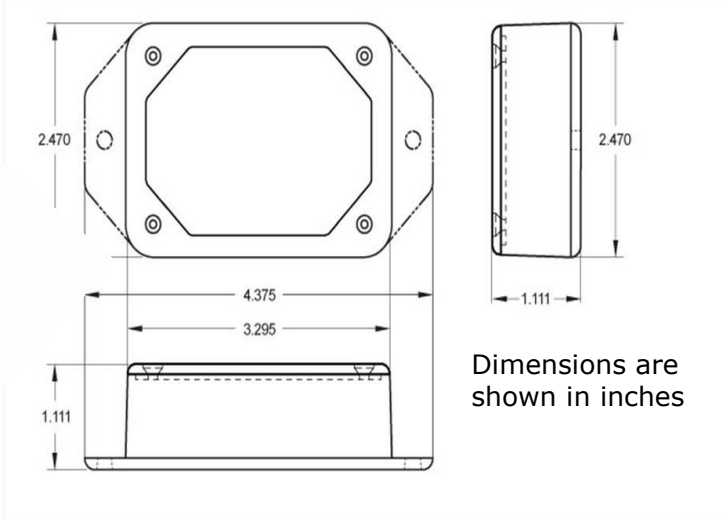
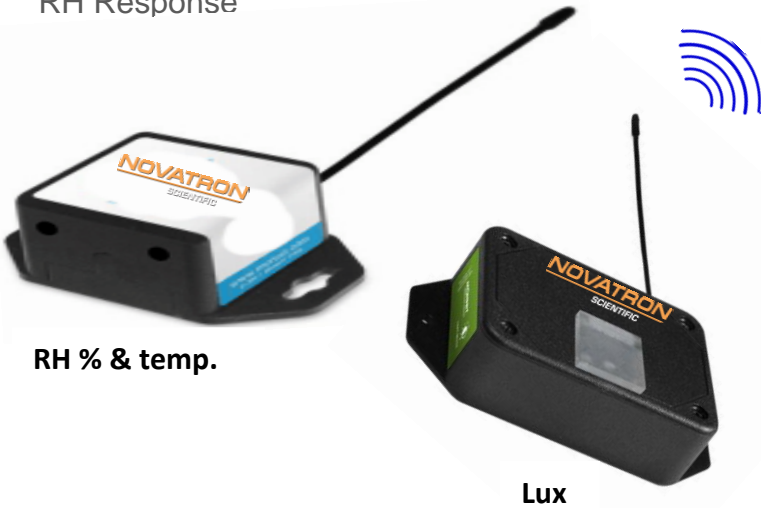
Recent Readings	Battery Life	Average Signal	Awake vs Not Awake
441565 - Sensor 6	47.05% @ 26.3° C	108 Minutes ago	
441566 - Sensor 2	51.63% @ 21.9° C	11 Minutes ago	
479571 - Sensor 3	46.91% @ 21.9° C	4 Minutes ago	
479573 - Sensor 1	55.14% @ 22° C	28 Minutes ago	
479574 - Sensor 4	46.75% @ 24.9° C	113 Minutes ago	
479576 - Sensor 5			



Humidity Temperature or Lux 900 Mhz monitors

- RH Operating Range
- Lux Operating Range
- Batteries
- Accuracy
- Housing
- Weight
- Distance range
- RH Response

- 0 – 100% RH & 0-50 C
- 0-1000 Lux
- 2 x AA alkaline, lasting around 3 years
- +/- 3% & 0.5 C @ 10% - 90% RH. +/- 5% Lux
- Black ABS plastic
- Less than 150 g
- 100 M approx..
- 8 sec

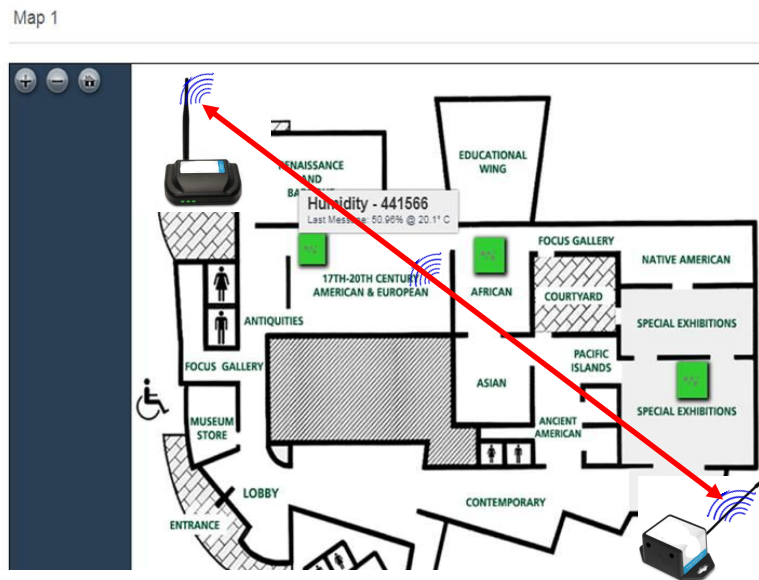


Base Station (Gateway)

Frequency: 868 MHz (Europe)

Power supply : Encapsulated low voltage PSU

Connection: to your Ethernet Broadband only



Range of operation typically 100M , extendable with repeaters



NOVATRON
SCIENTIFIC